

## Cranked handles

### Aluminium

#### SPECIFICATION

Body

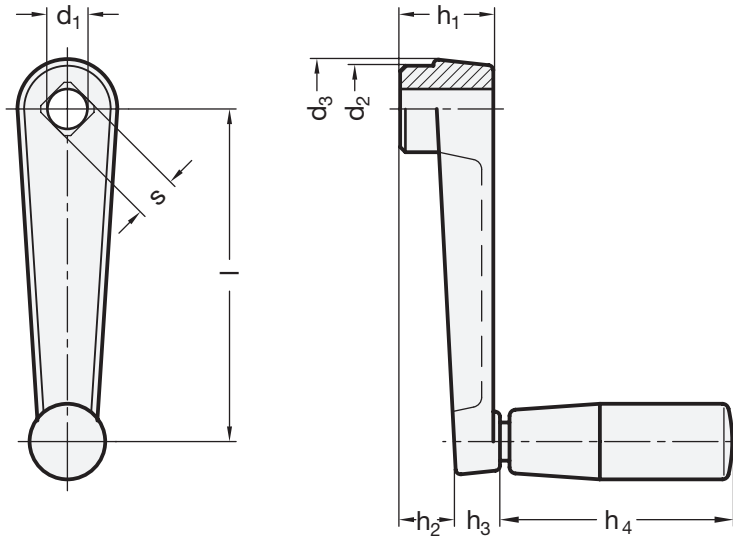
- Aluminium
- plastic coated, black, textured finish
- hub machined

Cylindrical Revolving handles GN 598 (see page 573)

Plastic, Technopolymer  
black, matt

#### TECHNICAL INFORMATION

- Square DIN 79 (see page A16)
- Cross holes GN 110 (see page A17)
- ISO-Fundamental Tolerances (see page A21)



#### GN 471

| Description    | l   | d1 H7 | s H11 | d2 | d3 | h1 | h2 ≈ | h3 | h4 ≈ | Ø Handle | Δ   |
|----------------|-----|-------|-------|----|----|----|------|----|------|----------|-----|
| GN 471-80-B10  | 80  | B 10  | -     | 23 | 26 | 24 | 14   | 14 | 52.5 | 21       | 120 |
| GN 471-80-V10  | 80  | -     | V 10  | 23 | 26 | 24 | 14   | 14 | 52.5 | 21       | 98  |
| GN 471-100-B12 | 100 | B 12  | -     | 27 | 30 | 28 | 17   | 15 | 67.5 | 23       | 170 |
| GN 471-100-V12 | 100 | -     | V 12  | 27 | 30 | 28 | 17   | 15 | 67.5 | 23       | 150 |
| GN 471-125-B14 | 125 | B 14  | -     | 32 | 35 | 34 | 22   | 18 | 82.5 | 26       | 255 |
| GN 471-125-V14 | 125 | -     | V 14  | 32 | 35 | 34 | 22   | 18 | 82.5 | 26       | 240 |
| GN 471-160-B17 | 160 | B 17  | -     | 35 | 39 | 38 | 26   | 18 | 82.5 | 26       | 301 |
| GN 471-160-V17 | 160 | -     | V 17  | 35 | 39 | 38 | 26   | 18 | 82.5 | 26       | 280 |